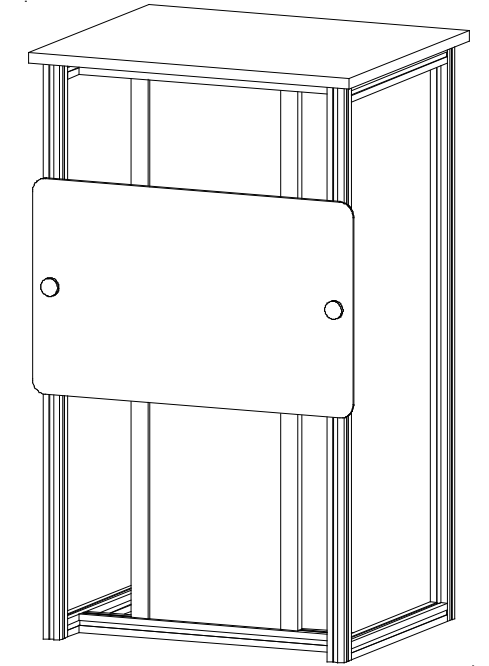
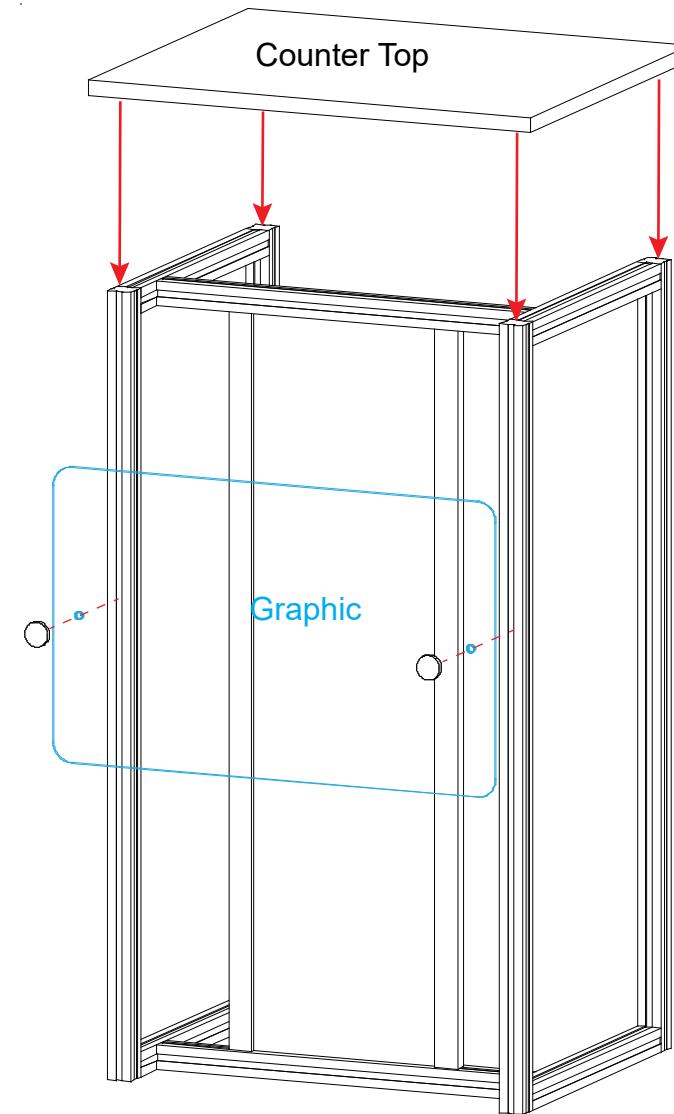
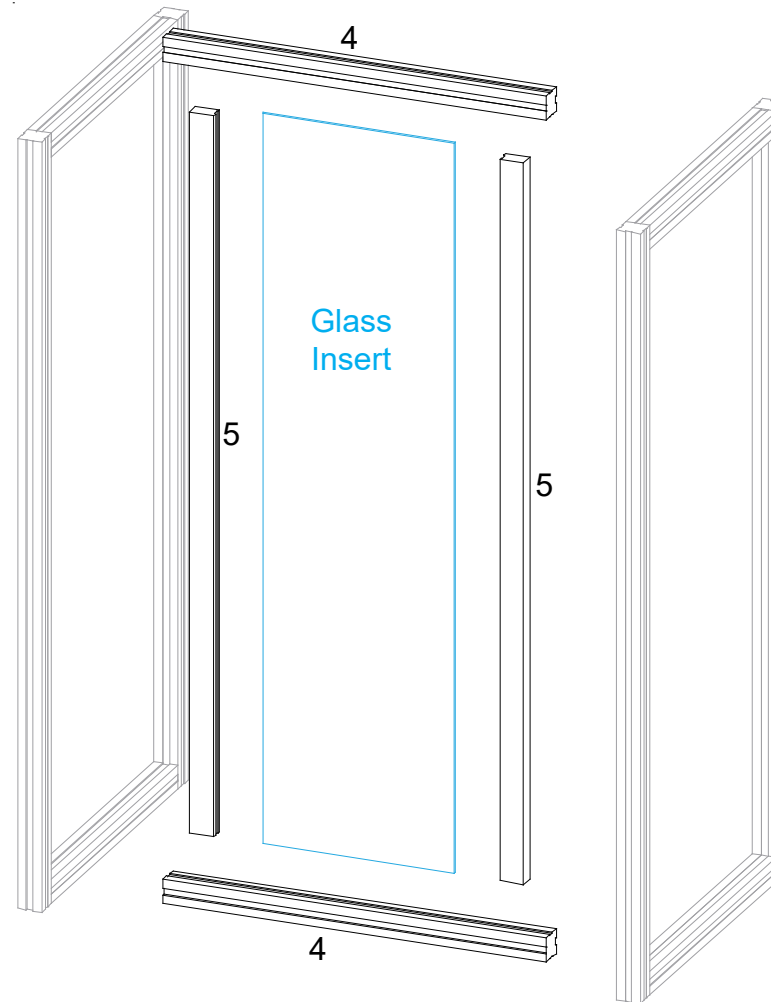
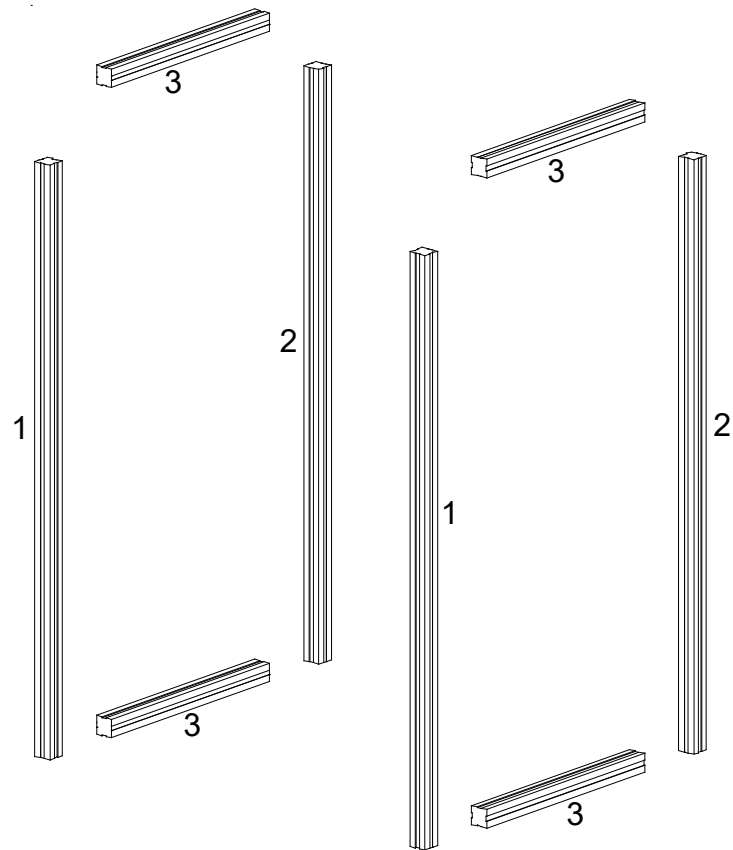


Item	Qty	Description
1	2	40" S40 Vertical Extrusion
2	2	40" S40 Vertical Extrusion
3	4	16" S40 Horizontal Extrusion
4	2	20" S40 Horizontal Extrusion
5	2	37.48" Z31 Vertical Extrusion

Steps:

- 1) Attach horizontals [3] between verticals [1 & 2] as shown.
- 2) Attach verticals [5] between horizontals [4], inserting glass insert as shown.
- 3) Connect horizontals [4] between horizontals [3] as shown.
- 4) Place counter top on assembled base.
- 5) Attach graphic to front of verticals [1] with standoff caps as shown.



SETUP INSTRUCTIONS

General Setup Instructions

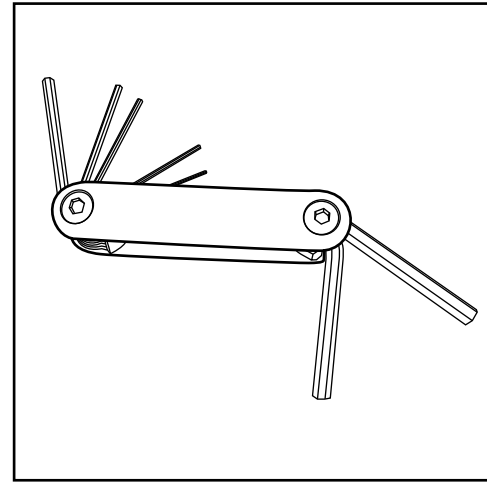
- Read entire setup instruction manual prior to unpacking parts and pieces.
- The setup instructions are created specifically for this configuration.
- Setup instructions are laid out sequentially in steps, including exploded views with detailed explanation for assembly.

Cleaning & Packing

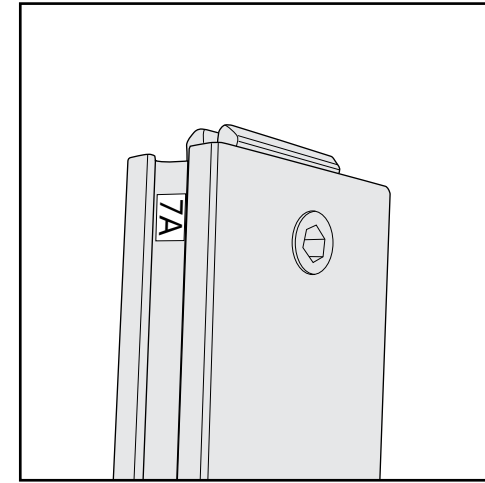
- For Cleaning Metal, Plex, & Laminate Parts: Use a **MILD NON-ABRASIVE** cleanser and soft cloth/paper towel to clean all surfaces.
- Keep exhibit components away from heat and prolonged sun exposure. **Heat and UV exposure will warp and fade components.**
- Retain all provided Packing Materials. All provided packing materials are for ease of repacking & component protection.

Disassembly

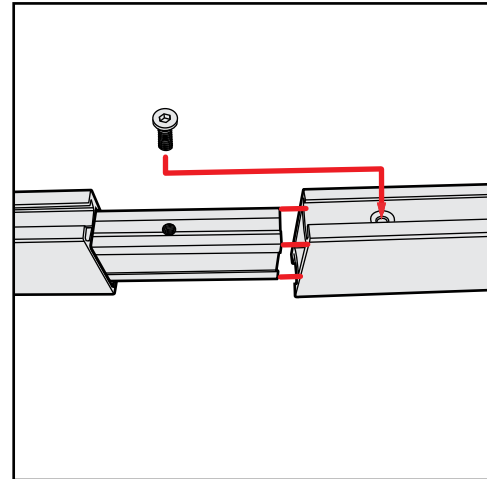
- For loss prevention, tighten all set screws and locks during disassembly.



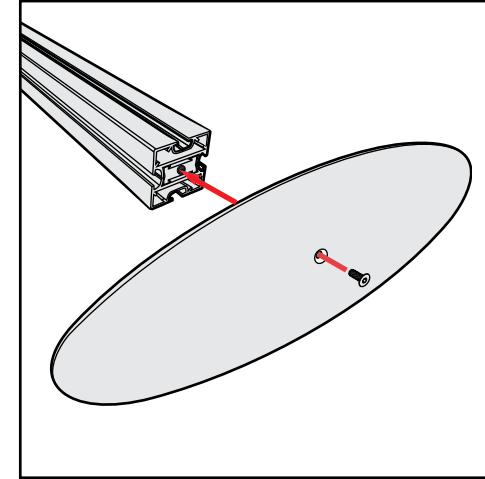
Hex Tool - Essential for Assembly



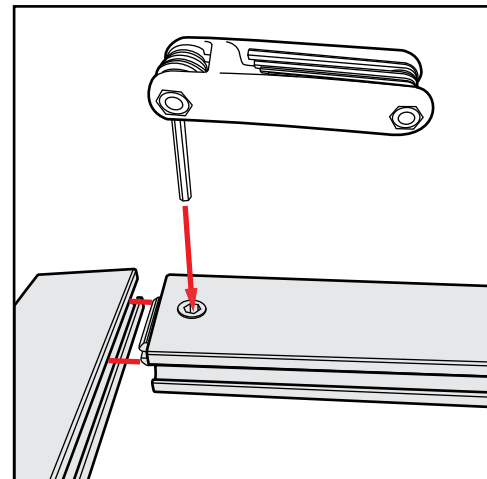
Part Identification - Numbering



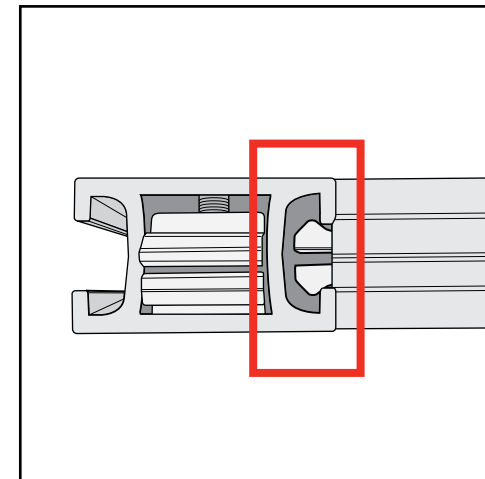
Spline Connection



Base Plate & Extrusion Connection



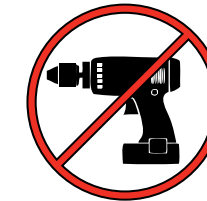
Extrusion & Lock Connection



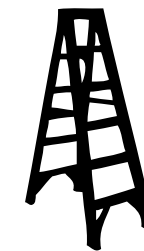
Engaged Lock



WARNING



DO NOT USE POWER TOOLS

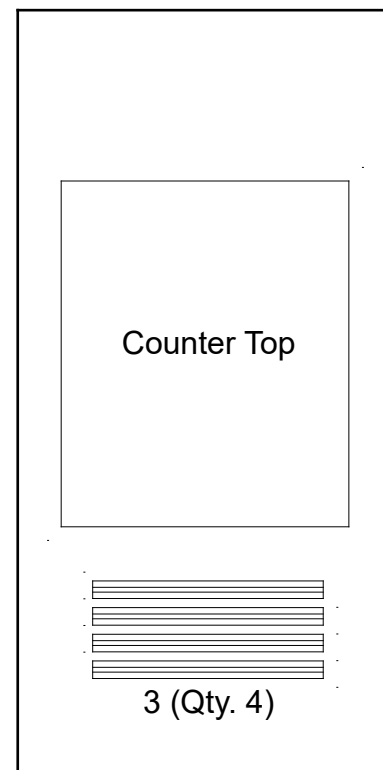


LADDERS OR LIFTS
MAY BE REQUIRED

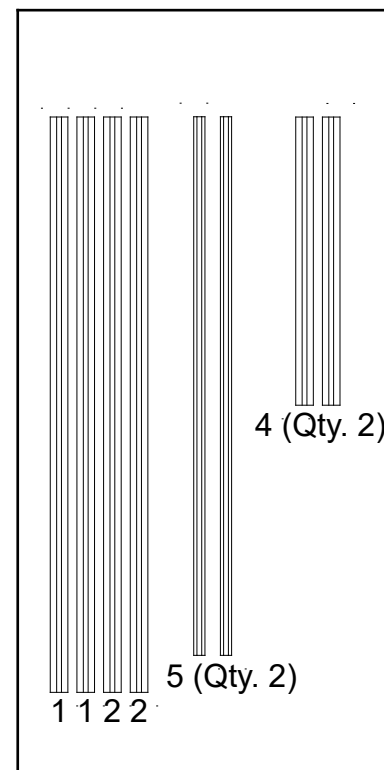


ALL CONNECTIONS MUST
BE TIGHTLY SECURED

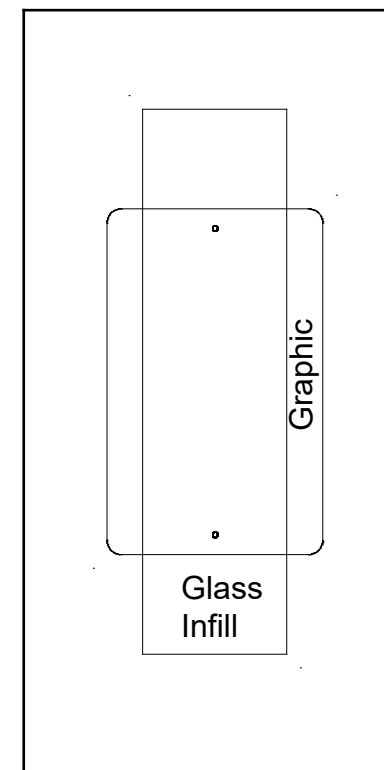
Top View of Each Level



Level 1



Level 2



Level 3

