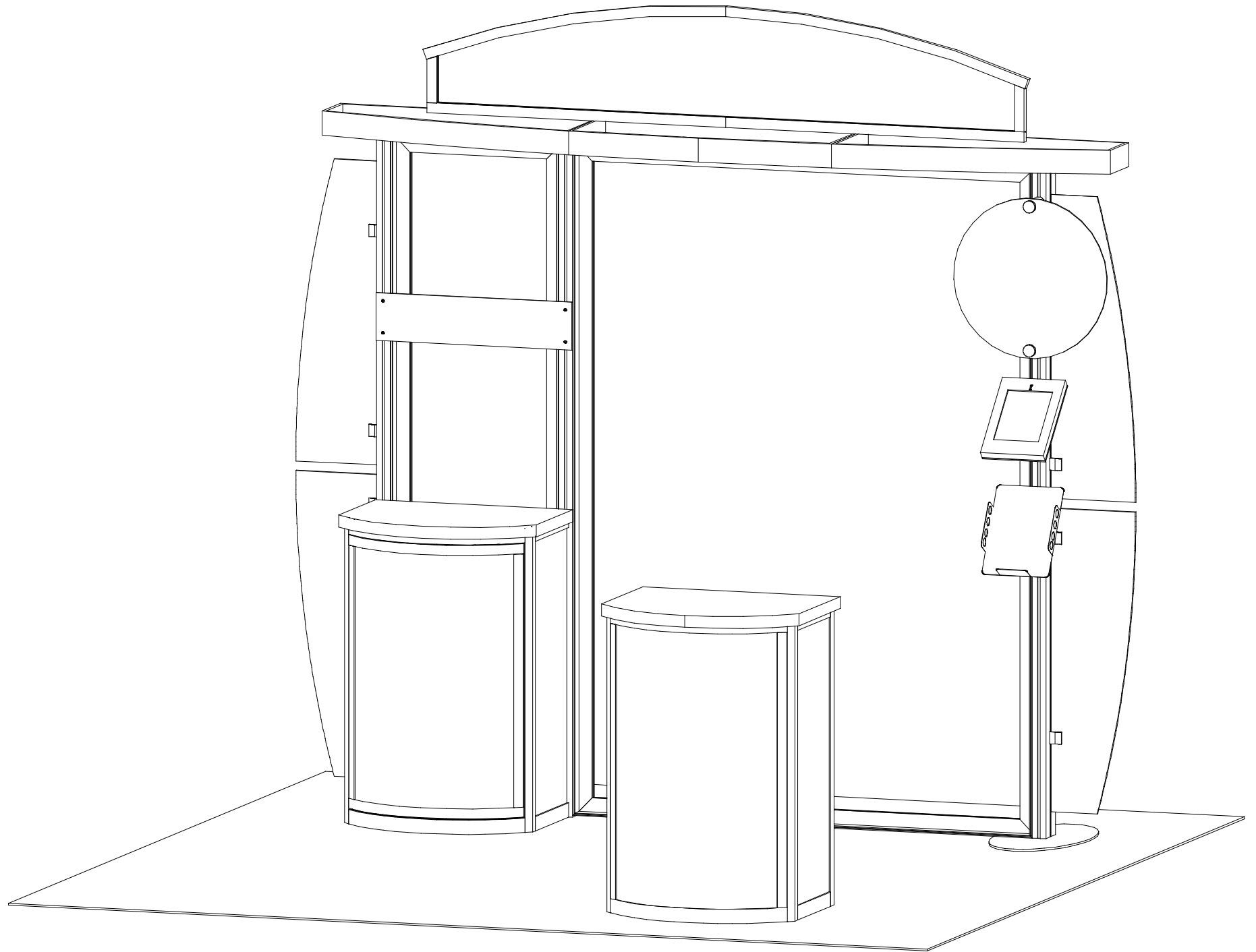


Plan View 10'



Perspective View

WHEN DISASSEMBLING ALUMINUM EXTRUSION, TIGHTEN ALL SETSCREWS AND LOCKS TO PREVENT LOSS DURING SHIPPING

visionary™ DESIGNS

Using Your Setup Instructions

The Visionary Designs Setup Instructions are created specifically for your configuration. They are laid out sequentially, including an exploded view of the entire display, and then a logical series of detailed steps to assemble the main structure and components. We encourage you to study the instructions **before** attempting to assemble your exhibit.

Each page reminds you to tighten the setscrews after disassembling your exhibit to prevent loss of the locks and setscrews (see below in RED). This is **VERY IMPORTANT**.

Cleaning and Packing Your Display

- 1) Use care when cleaning aluminum extrusion or acrylic inserts. Use only non-abrasive cleaners.
- 2) When cleaning laminate inserts or countertops, use mild cleansers and a soft material such as cotton.
- 3) Keep all display components away from extreme heat and long exposure to sunlight to avoid warping and fading.
- 4) Retain all packing material. It will make re-packing much easier and will reduce the likelihood of shipping damage.



The Tool

Most Visionary Designs exhibits can be assembled with the supplied Hex Key Tool. Occasionally, a flat head screwdriver may be required.



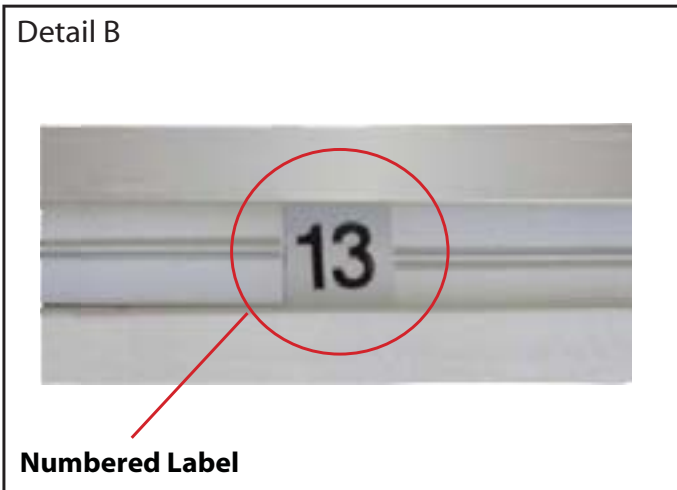
Detail A

Typical Connection



Typical Connection (cont'd)

Most horizontal extrusion connections have a patented expandable lock. This lock inserts into the groove of an opposing extrusion. Tightening the lock with the Hex Key Tool expands the lock and creates a strong positive connection.



Detail B

Numbered Label

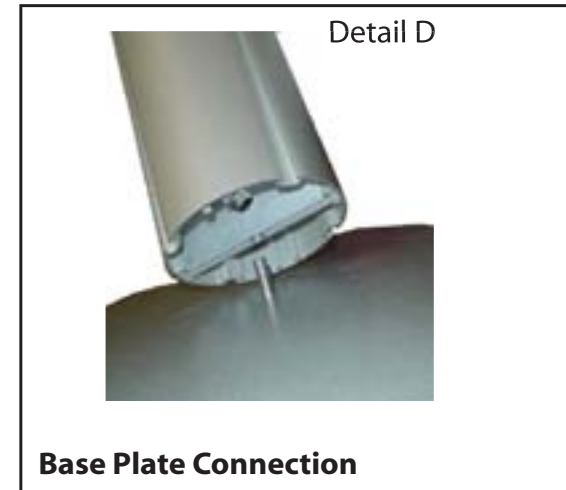
Each extrusion contains a numbered label which corresponds with setup instructions. The label is located within a groove of the extrusion (when possible). With Visionary Designs the labels contain Black numbers unless otherwise specified.



Detail C

Horizontal Inline Connection (remove only one setscrew)

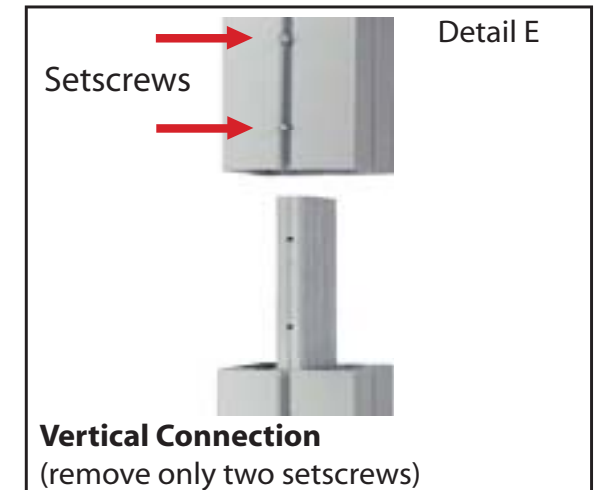
Remove only (1) setscrew when disassembling. Replace setscrew in extrusion after assembling it. Before packing, replace setscrew in extrusion to avoid losing it.



Detail D

Base Plate Connection

Attach base plate to round or square vertical extrusion using the bolt provided. Be careful not to strip the threads.



Detail E

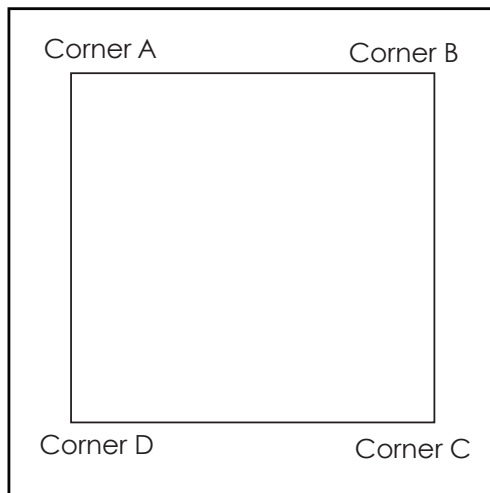
Vertical Connection
(remove only two setscrews)

When vertical extrusions are packed in portable cases rather than crates or tubs, they must be broken down into smaller sections which then require assembly.

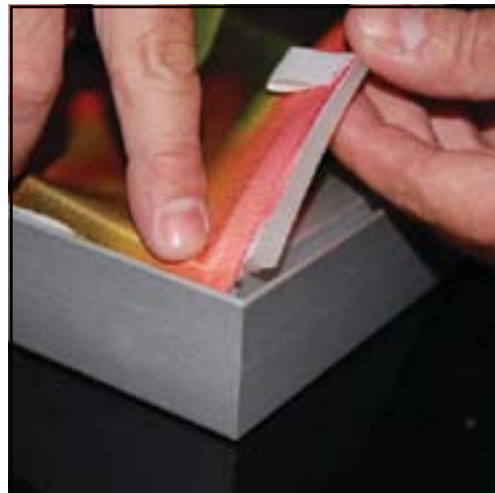
Remove only (2) setscrews when disassembling. Replace setscrews in extrusion after assembling it. Before packing, replace setscrews in extrusion to avoid losing them.

WHEN DISASSEMBLING ALUMINUM EXTRUSION, TIGHTEN ALL SETSCREWS AND LOCKS TO PREVENT LOSS DURING SHIPPING

SEG Graphic: To Ensure Proper Fit



It is important to first insert graphic into each alternater corner then to the sides of the frame. If this is not done, graphic will not fit into the frame correctly.



Step 1
Insert corner A.
Turn edge of graphic so silicon welt is perpendicular to face of graphic. Insert narrow side of welt with fabric to outside into the channel. Repeat for other side of this corner.



Step 2
Repeat Step 1 for opposite corner C, then insert corner B, followed by corner corner D, to complete the installation of the corners.



Step 3
Once all corners are inserted, press one silicon edge into channel from corners and work toward the center. Make sure welt is fully inserted into channel. Continue until all sides are done. Smooth out edges of graphic.

Graphic Removal

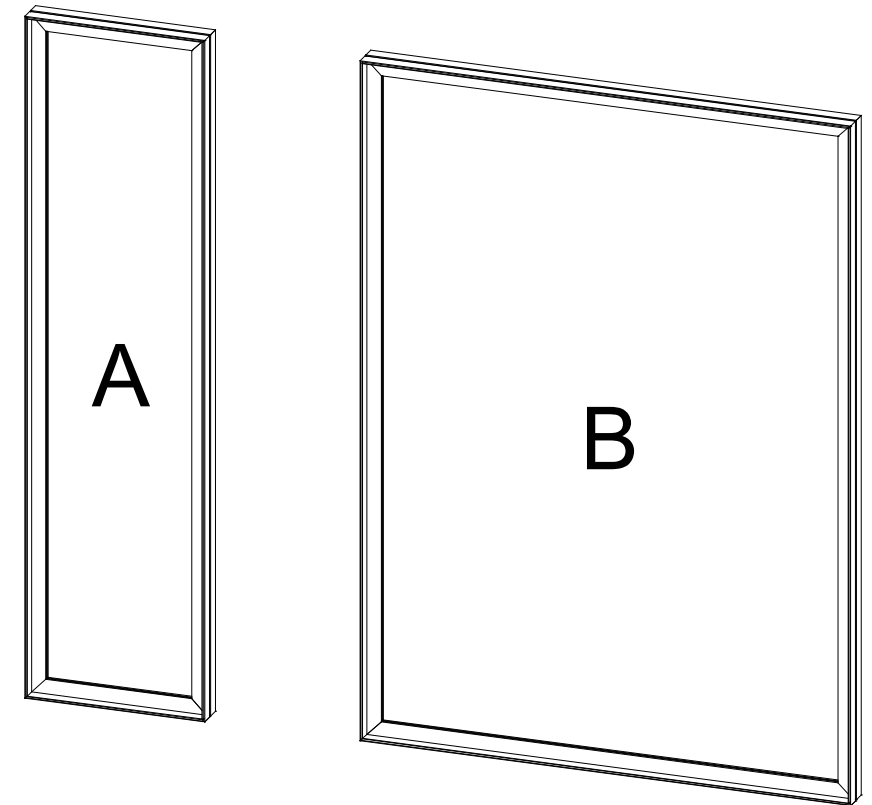
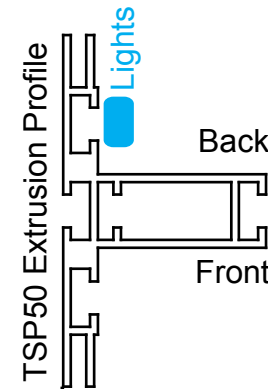
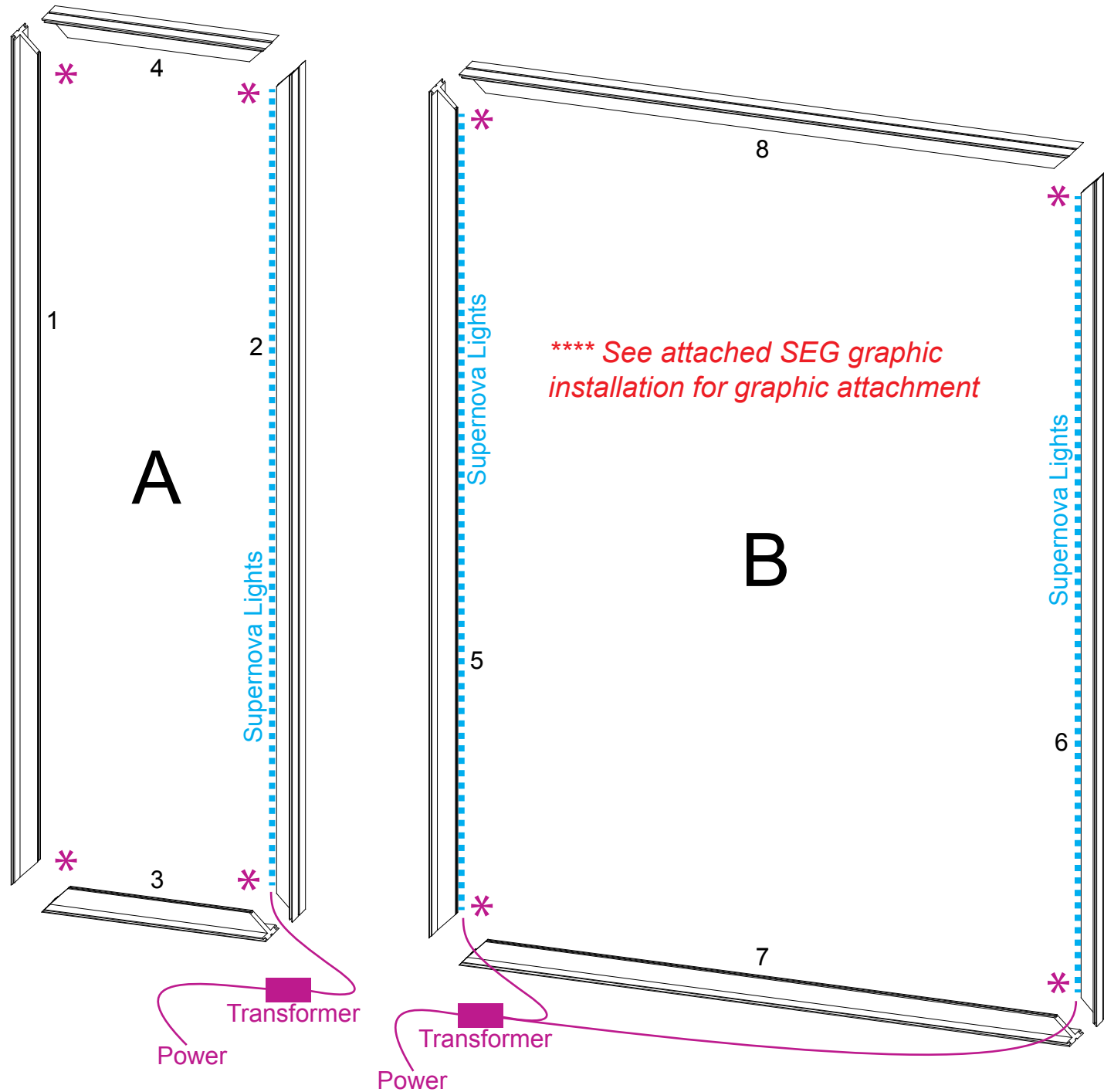


To remove the graphic from the frame, locate the fabric pull tab. Gently pull up on the tab to remove the fabric.

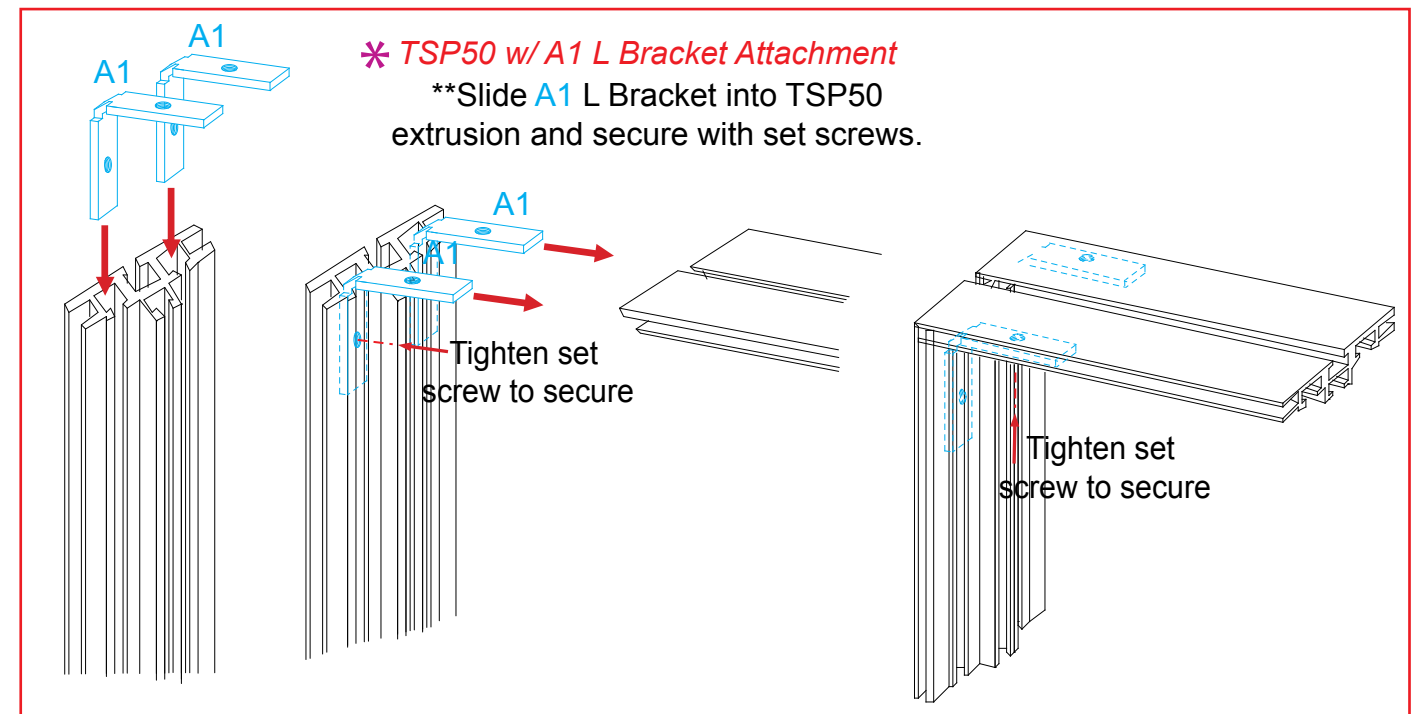
WHEN DISASSEMBLING ALUMINUM EXTRUSION, TIGHTEN ALL SETSCREWS AND LOCKS TO PREVENT LOSS DURING SHIPPING

Steps:
 1) Assemble TSP50 frames together as shown.
 Refer to *TSP50 w/ A1 L Bracket Attachment* detail.

Item	Qty.	Description
1-2	1ea.	84"h TSP50 Vertical Extrusion
3-4	1ea.	22"w TSP50 Horizontal Extrusion
5-6	1ea.	83.75"h TSP50 Vertical Extrusion
7-8	1ea.	60"w TSP50 Horizontal Extrusion



When assembled

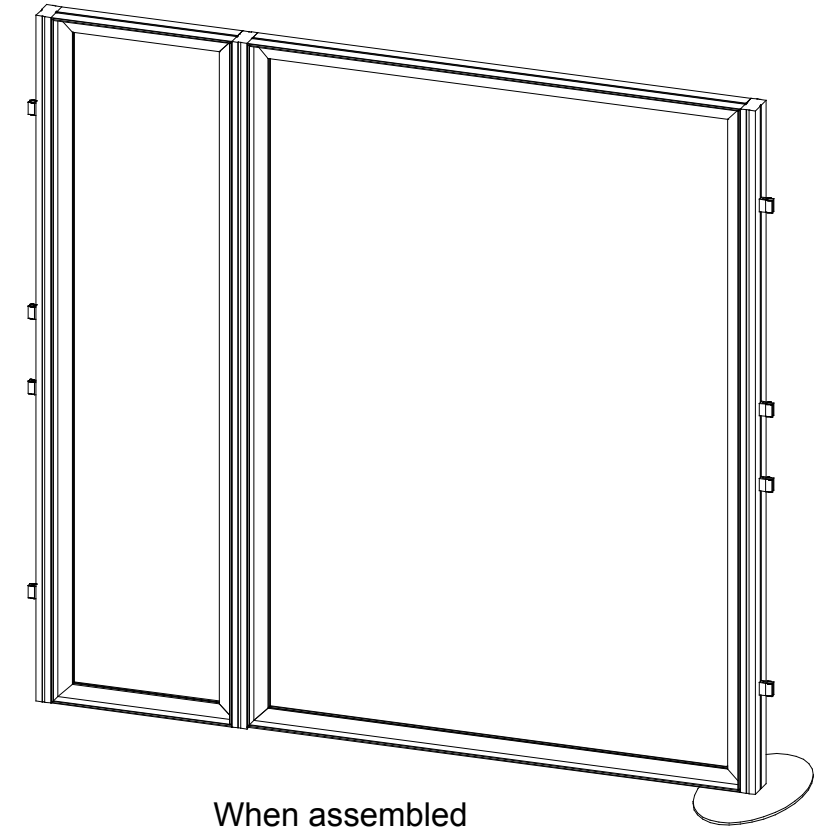
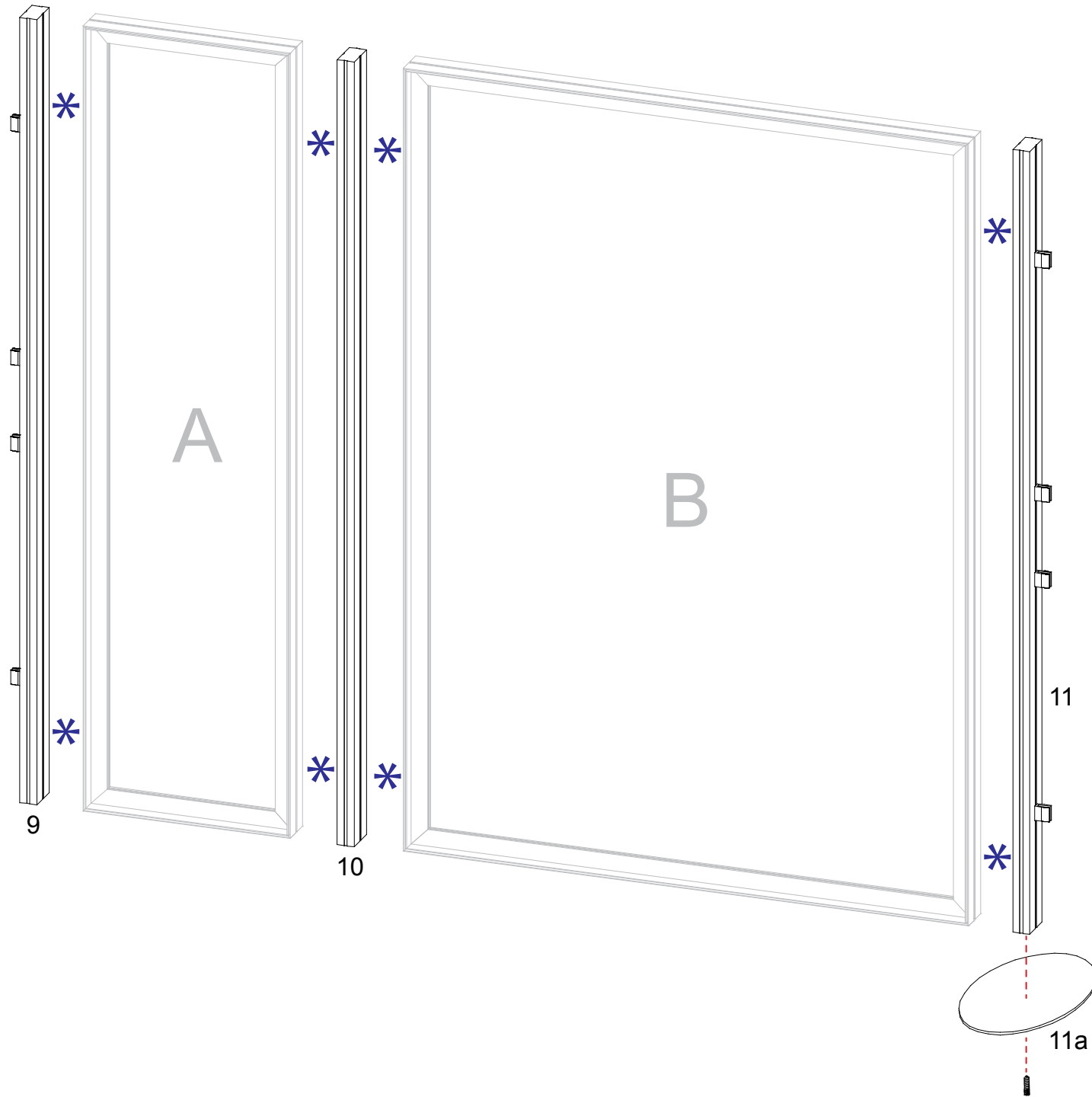


WHEN DISASSEMBLING ALUMINUM EXTRUSION, TIGHTEN ALL SETSCREWS AND LOCKS TO PREVENT LOSS DURING SHIPPING

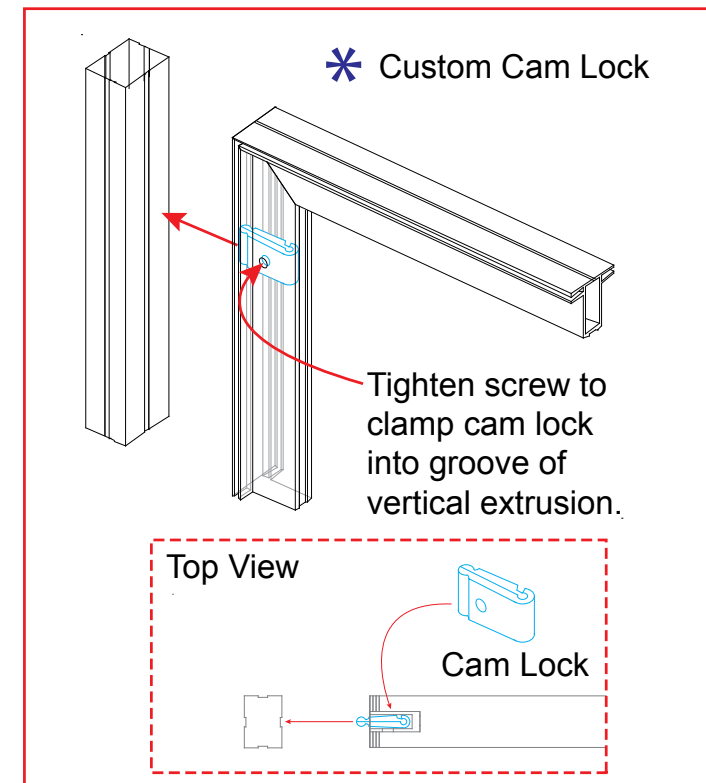
866.652.2100

Item	Qty.	Description
9	1	84"h Vertical Extrusion
10	1	84"h Vertical Extrusion
11	1	83.75"h Vertical Extrusion
11a	1	Oval Base Plate

- Steps:
- 1) Attach base plate [11a] to vertical [11] with bolt as shown.
 - 2) Attach assembled TSP frames [A,B] between verticals.
- Refer to custom cam lock detail.



When assembled

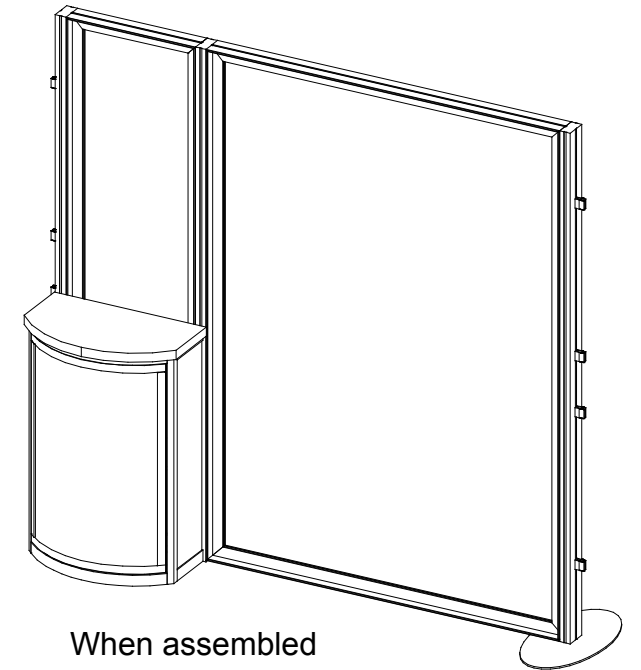
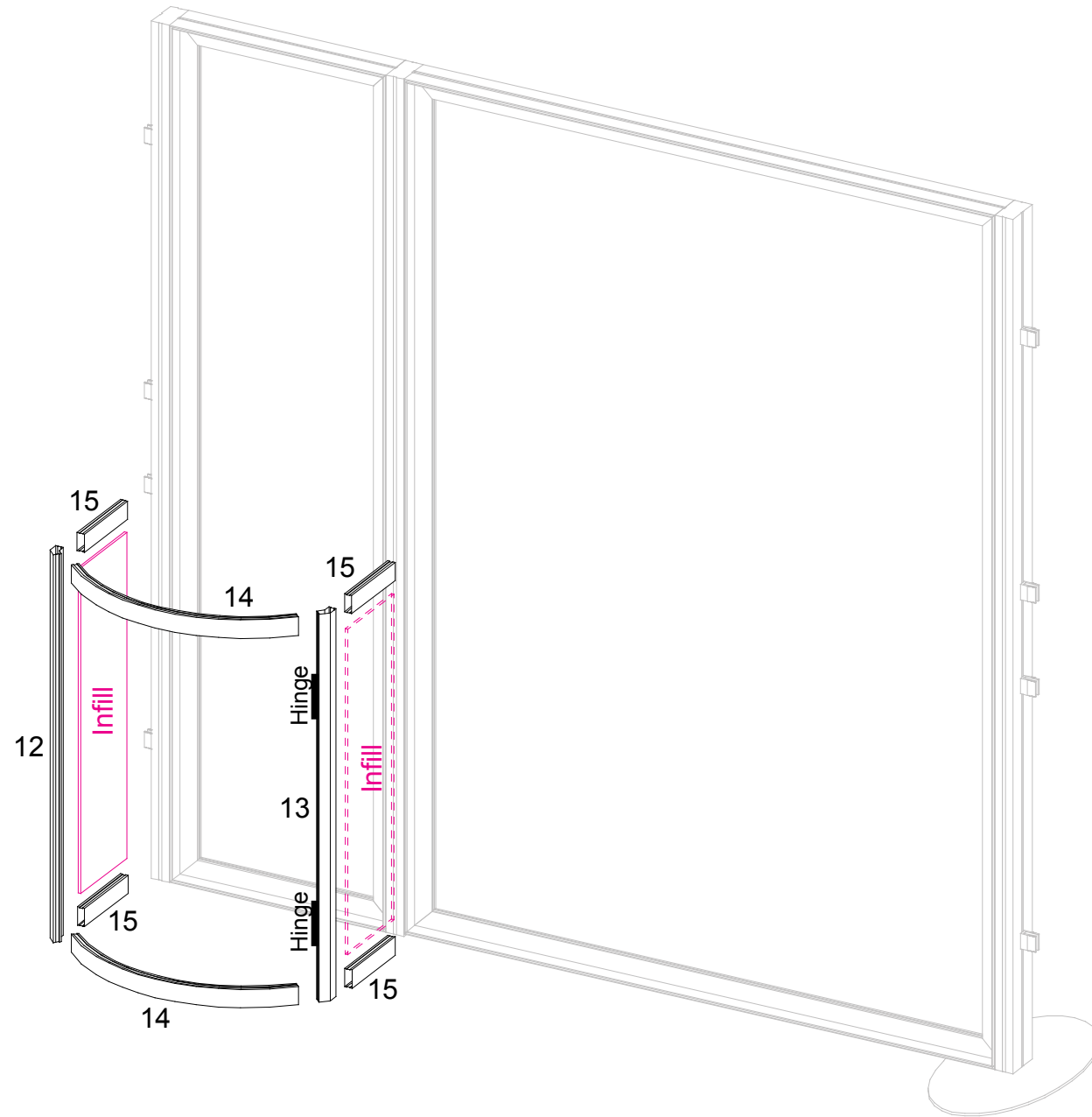
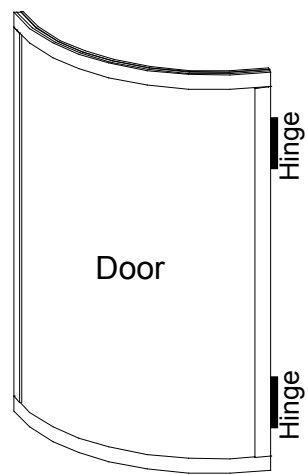
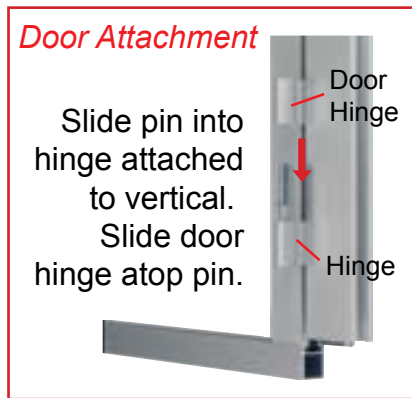


WHEN DISASSEMBLING ALUMINUM EXTRUSION, TIGHTEN ALL SETSCREWS AND LOCKS TO PREVENT LOSS DURING SHIPPING

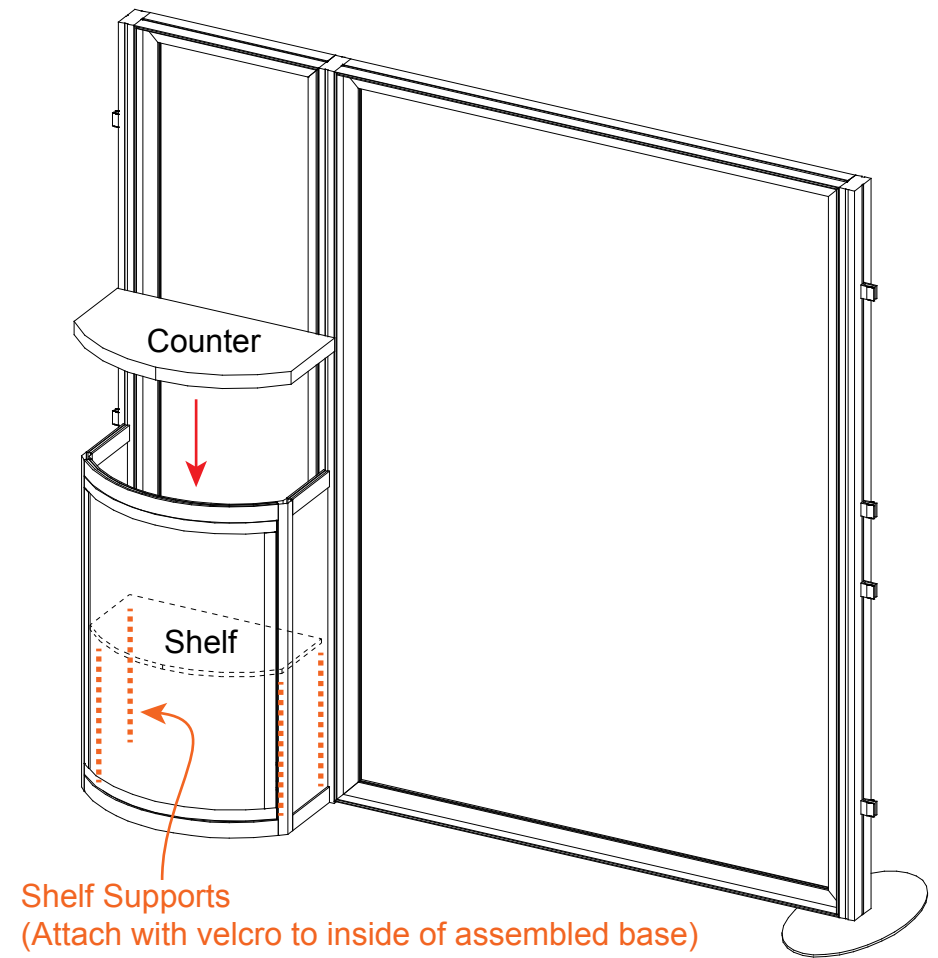
866.652.2100

Item	Qty.	Description
12	1	38" h Vertical Extrusion
13	1	38" h Vertical Extrusion
14	2	Curved Horizontal Extrusion
15	4	8" w Horizontal Extrusion

- Steps:
- 1) Attach lower horizontals [14,15] between verticals [12,13] and backwall as shown.
 - 2) Attach upper horizontals [14,15] between verticals [12,13] and backwall as shown.
 - 3) Attach door to vertical [13]. Refer to *Door Attachment* detail.
 - 4) Attach shelf supports with velcro to inside of assembled base.
 - 5) Place counter atop assembled base as shown.



When assembled



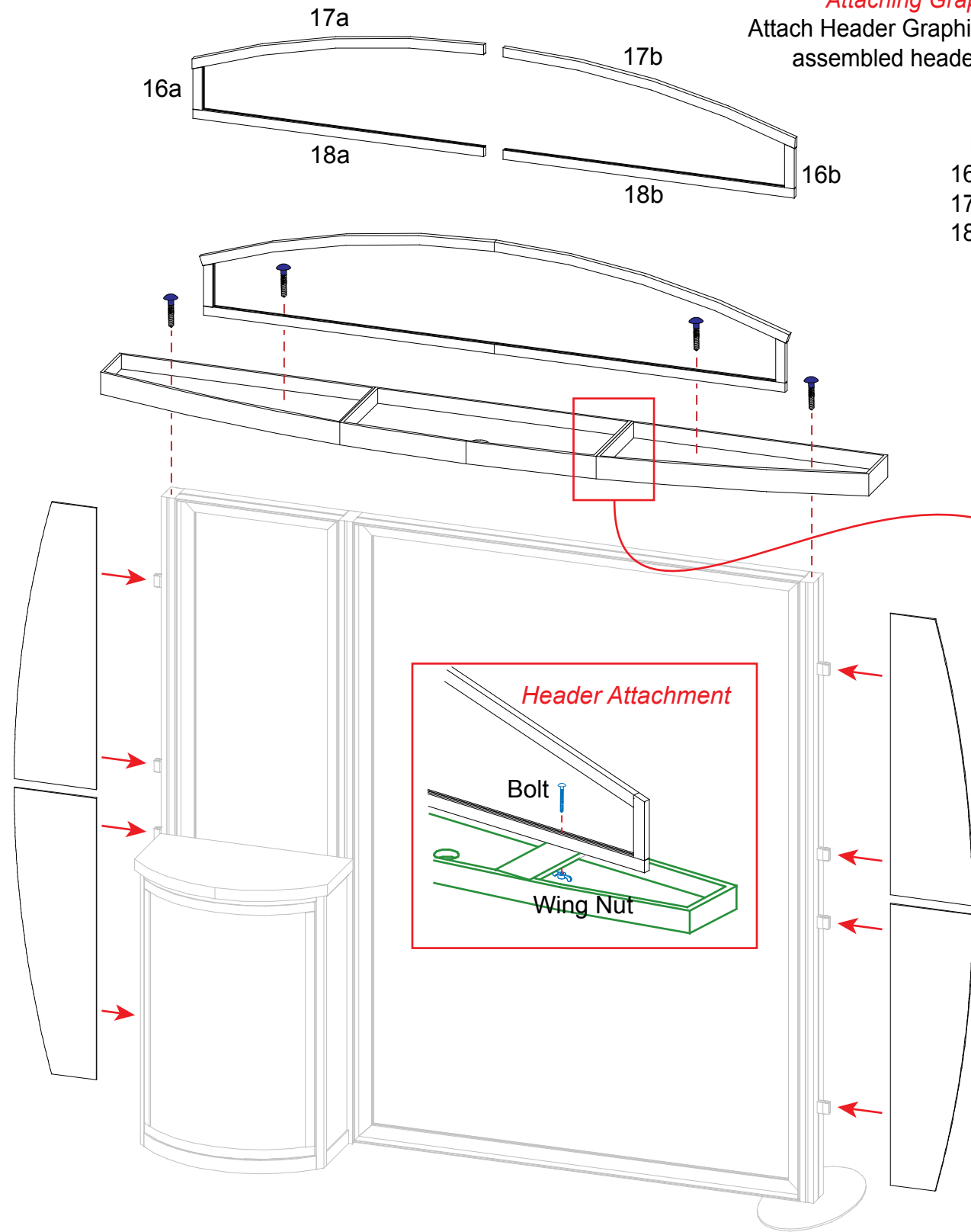
WHEN DISASSEMBLING ALUMINUM EXTRUSION, TIGHTEN ALL SETSCREWS AND LOCKS TO PREVENT LOSS DURING SHIPPING

866.652.2100

Attaching Graphics

Attach Header Graphic to Back of assembled header frame.

Item	Qty.	Description
16a/16b	1/1	5.862" Vertical Extrusion
17a/17b	1/1	40.319" Curved Extrusion
18a/18b	1/1	39" Horizontal Extrusion

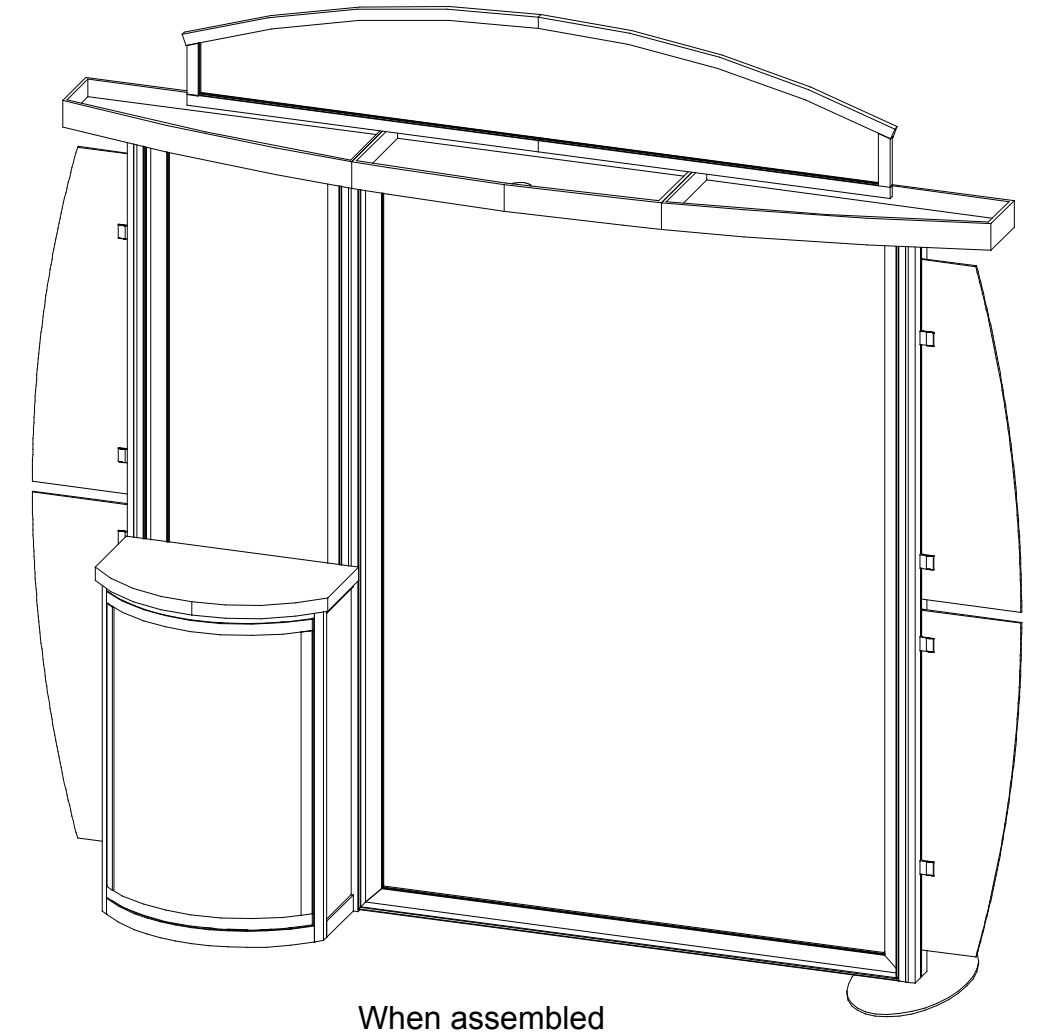


Example of Canopy Connection

Connecting Canopy Pieces Together
Bolts

Connect 3 piece Canopy together by using bolts and wing nuts provided.

- Steps:
- 1) Connect canopy pieces together using bolts & wing nuts. Refer to *Example of Canopy Connection* detail.
 - 2) Assemble arched header pieces together.
 - 3) Attach assembled header to assembled canopy. Refer to *Header Attachment* detail.
 - 4) Attach assembled canopy & header atop assembled backwall.
 - 5) Attach wings using A10 clamps. Refer to *Example of A10 Clamp Attachment* detail.



Example of A10 Clamp Attachment

Slide connector on back of A10 clamp into groove of extrusion.

When desired location is found, tighten set screw to secure.

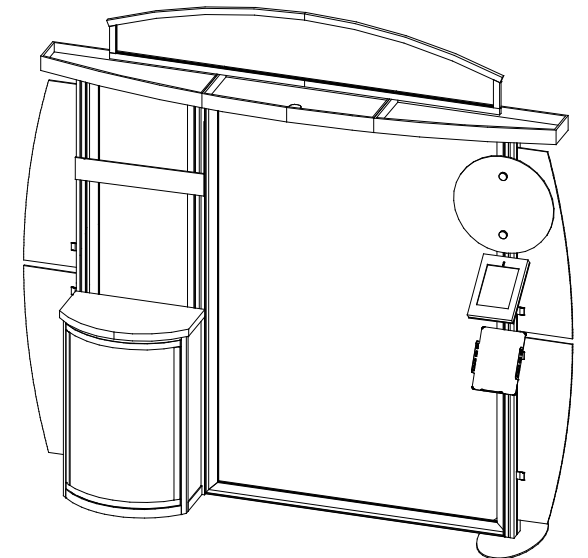
Tighten knob to secure shelf in place.

WHEN DISASSEMBLING ALUMINUM EXTRUSION, TIGHTEN ALL SETSCREWS AND LOCKS TO PREVENT LOSS DURING SHIPPING

866.652.2100

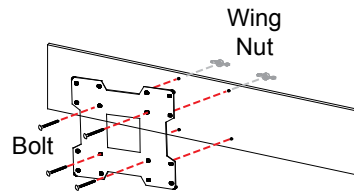
Steps:

- 1) Attach graphic using standoff barrels and caps.
See [Graphic Attachment](#) detail.
- 2) Attach literature rack to backwall as shown.
See [Literature Rack Attachment](#) detail.
- 3) Attach iPad clamshell atop counter as shown.
See [iPad Attachment](#) detail.
- 4) Attach Monitor Mount.
See [Monitor Mount Attachment](#) detail.



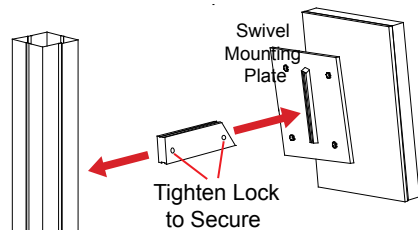
When assembled

*** Monitor Mount Attachment**

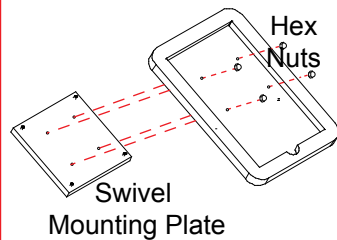


Attach monitor mount to horizontal extrusion using bolts and wing nuts.

*** iPad Mount Attachment**

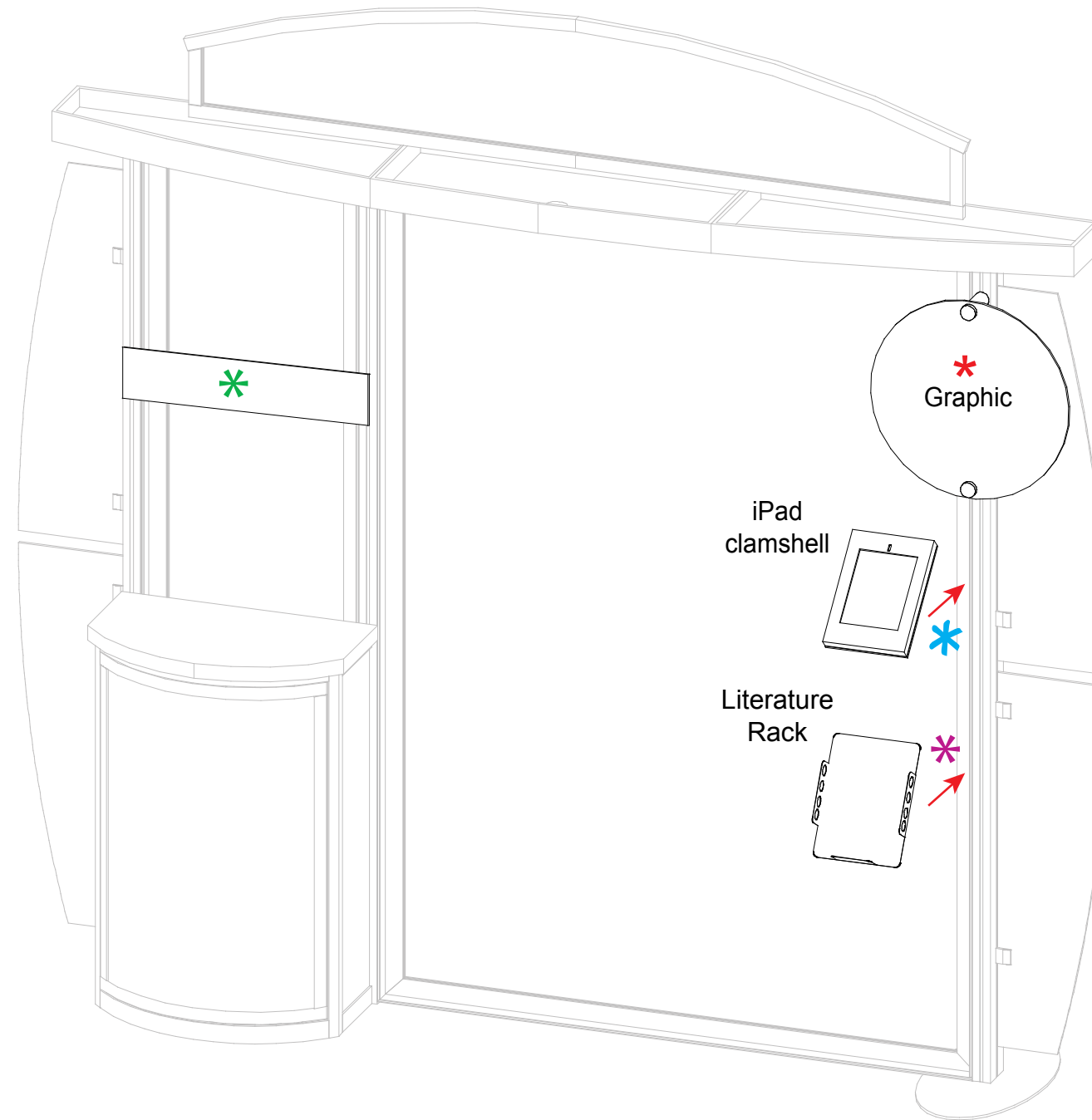
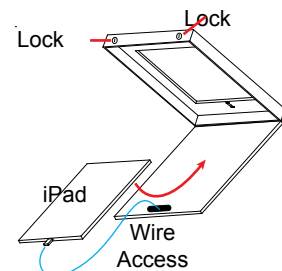
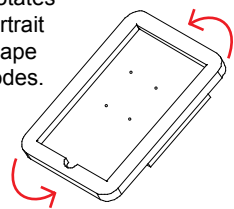


Attach connector piece to iPad mount as shown. Then connect assembled iPad mount to vertical extrusion.

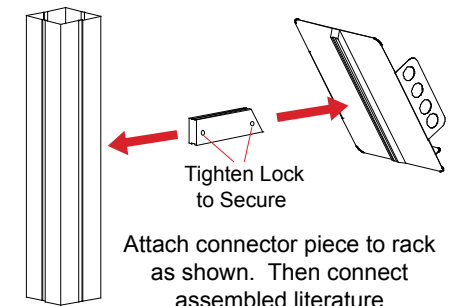


Bolt iPad clamshell to mounting plate with hex nuts.

Clam Shell rotates between portrait and landscape viewing modes.

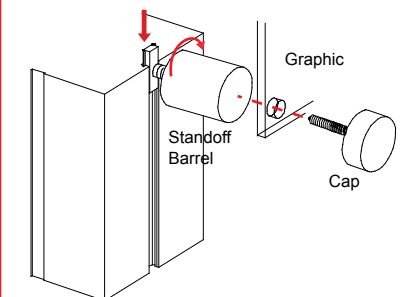


*** Literature Rack Attachment**



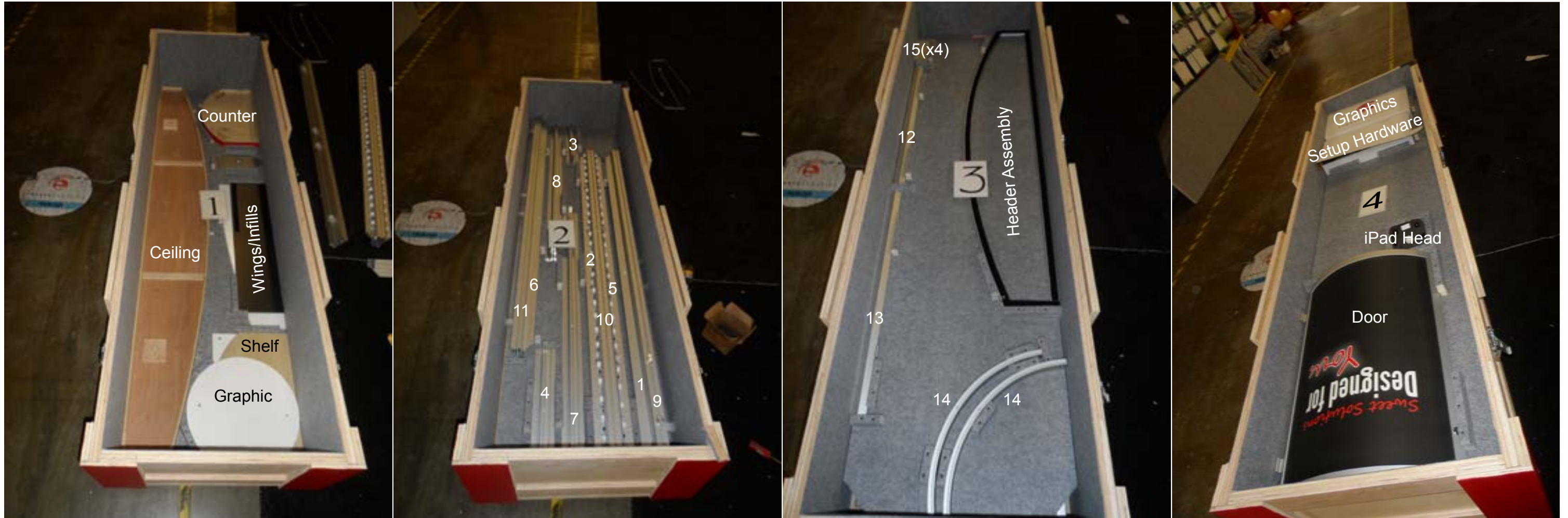
Tighten Lock to Secure
Attach connector piece to rack as shown. Then connect assembled literature rack to vertical extrusion.

*** Graphic Attachment**



Slide connector on back of standoff barrels into groove of extrusion and twist to secure in place. Secure graphic to standoffs using screw caps.

WHEN DISASSEMBLING ALUMINUM EXTRUSION, TIGHTEN ALL SETSCREWS AND LOCKS TO PREVENT LOSS DURING SHIPPING



WHEN DISASSEMBLING ALUMINUM EXTRUSION, TIGHTEN ALL SETSCREWS AND LOCKS TO PREVENT LOSS DURING SHIPPING