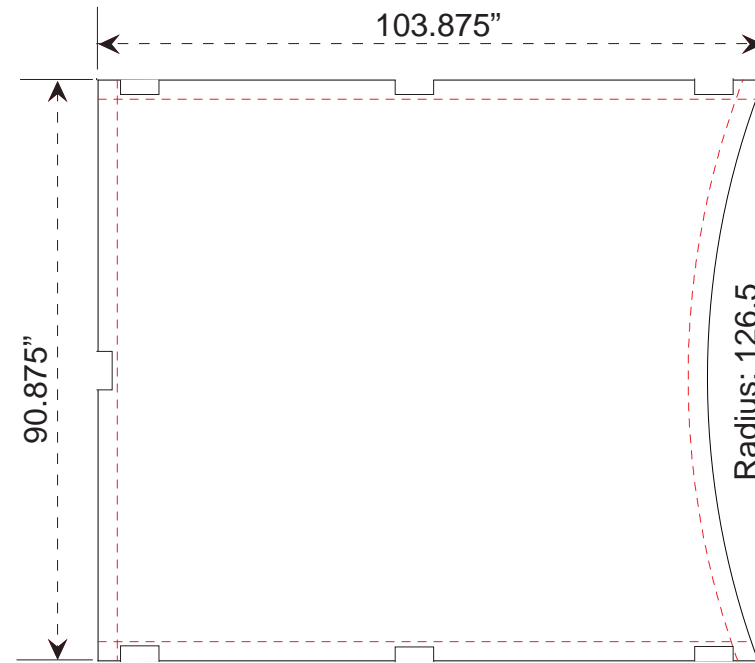


Product Name: MOR

Process: Colossus 8-Color

Material: Poly Knit 9

Effective Date: 12/03/2009



Finished Size: 103.875"w x 90.875"h

Live Area: 102.41"w x 89.418"h

Add approx 3/4" bleed around perimeter

Sew 1/2" hook Velcro into front perimeter

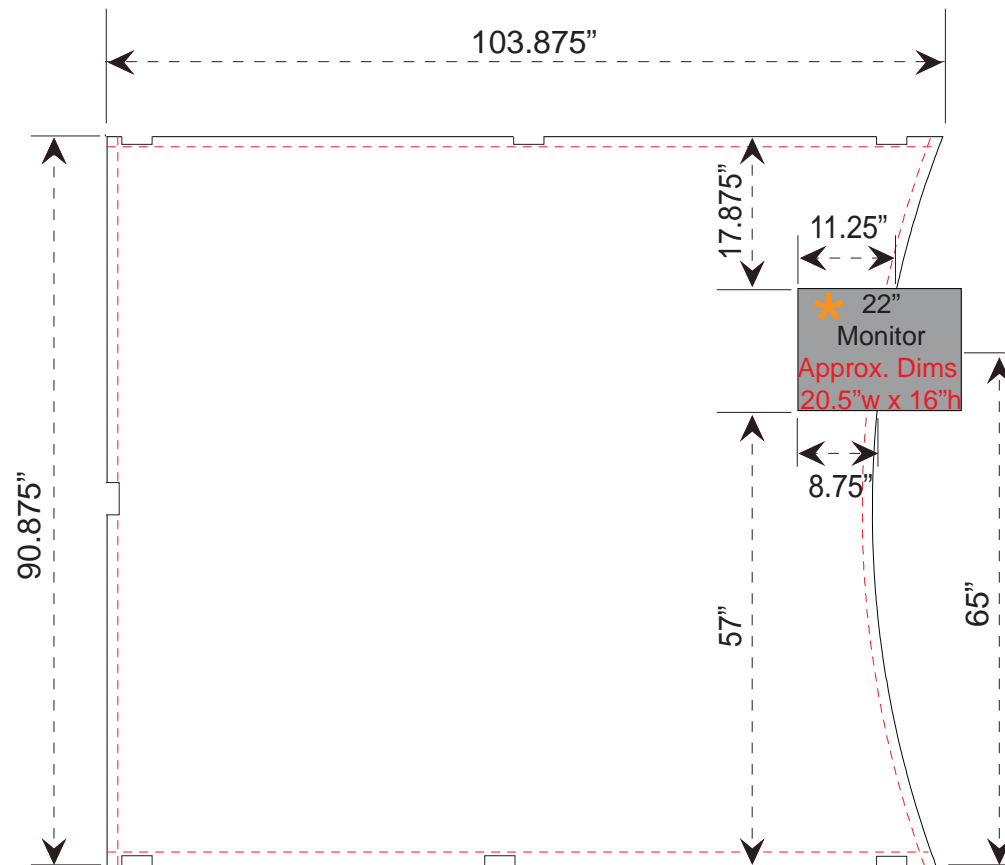
NOTE: Graphic files must be @ 150 dpi Finished Size.

DO NOT send Flattened Files. Production can not manipulate the content, proportion or color of these files.

NOTE: These dimensions are for graphic layout purposes.

Graphic needs to be cut and test fitted to Magellan MOR frame.

Product Name: MOR
Process: Colossus 8-Color
Material: Poly Knit 9
Effective Date: 12/03/2009



Location of the monitor can vary depending on the position of the articulating arm.

* **Note: Articulating Mount** is required for Magellan MOR unit.

When adding a Monitor to the MOR unit, portion of the graphic may be covered. Please design graphic layout according to suggested location.

See Header Graphic Dims for header locations.

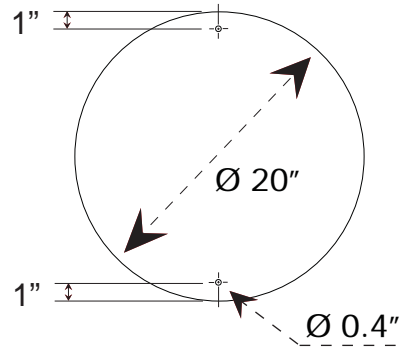
NOTE: Graphic files must be @ 150 dpi Finished Size.
DO NOT send Flattened Files. Production can not manipulate the content, proportion or color of these files.

NOTE: These dimensions are for graphic layout purposes.
Graphic needs to be cut and test fitted to Magellan MOR frame.

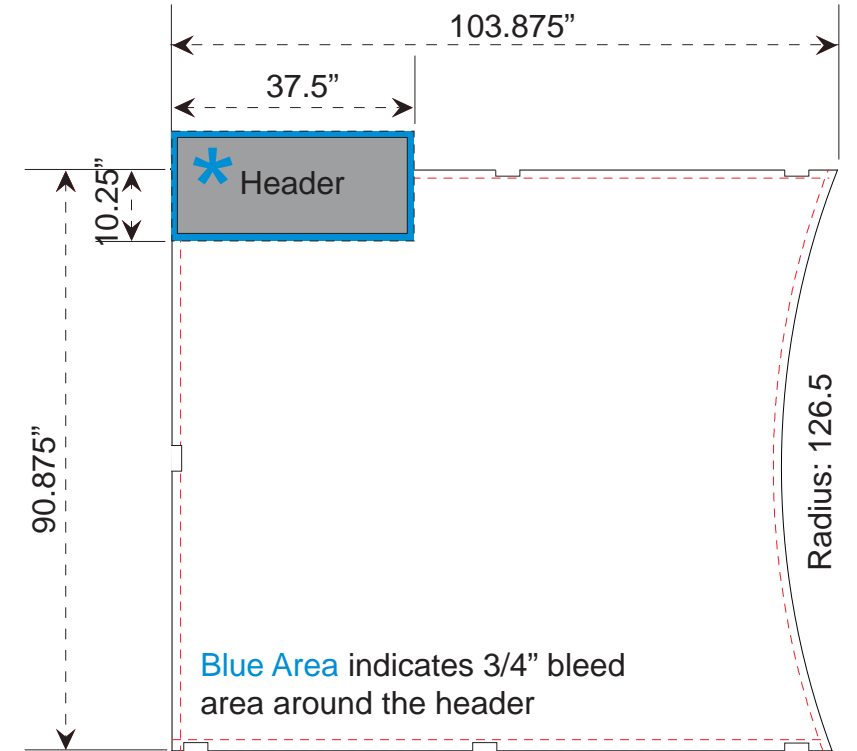
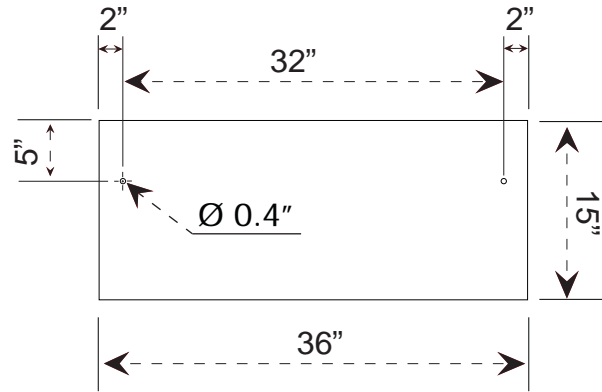
Product Name: MOR
Process: Direct Print
Material: 1/4" and 1/8" Sintra
Effective Date: 12/03/2009

Magellan MOR Backwall Header Graphic Dims - 10ft Version

1/4" Circular Graphic For Workstation



1/8" Header Graphic

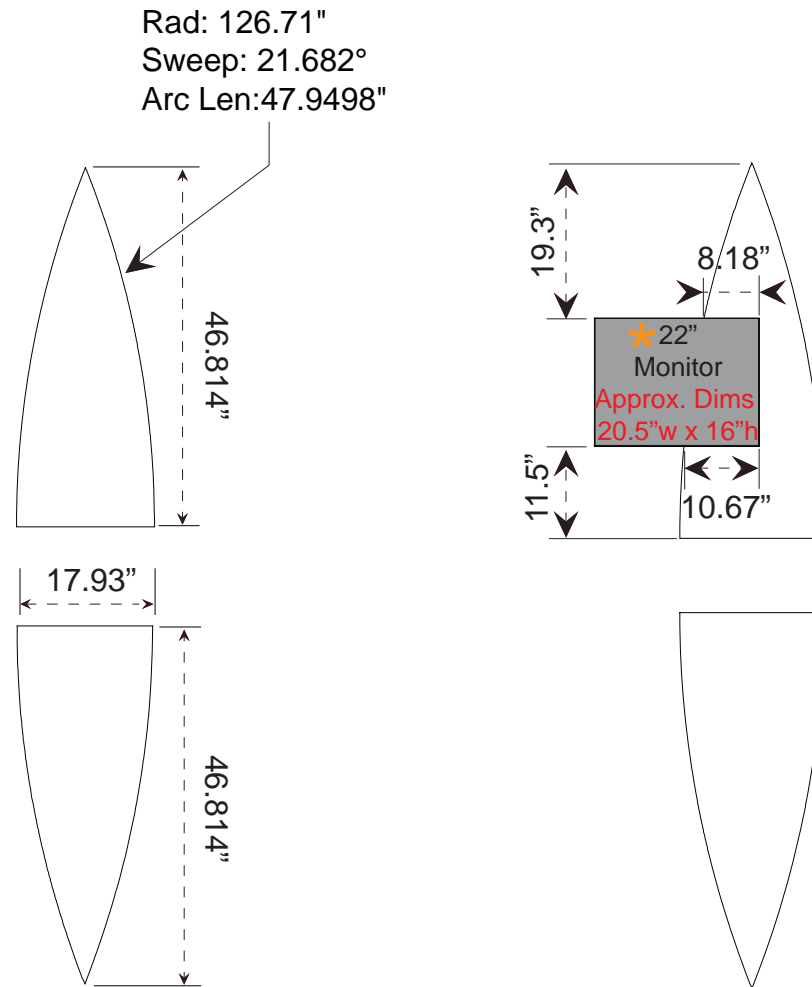


Blue Area indicates 3/4" bleed area around the header

* Note: When using a Header with the MOR unit a portion of the graphic will be covered. Please design graphic layout according to suggested location.

A small portion of your graphic(s) may be hidden by Magellan MOR accessories, such as Headers. Please use these diagrams to position your graphics correctly.

Product Name: MOR
Process: Direct Print
Material: 1/4" Sintra
Effective Date: 12/03/2009



Location of the monitor can vary depending on the position of the articulating arm.

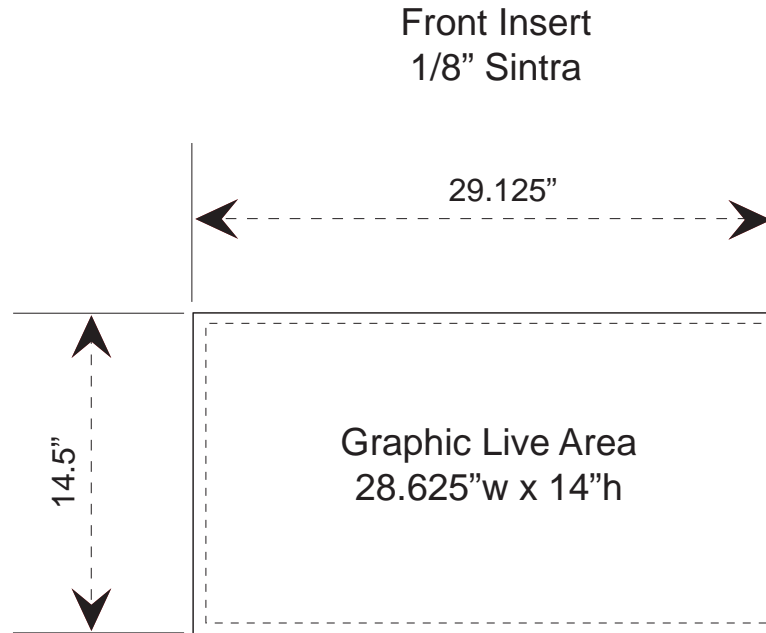
* **Note: Articulating Mount** is required for Magellan MOR unit.

When adding a Monitor to the MOR unit, portion of the graphic may be covered. Please design graphic layout according to suggested location.

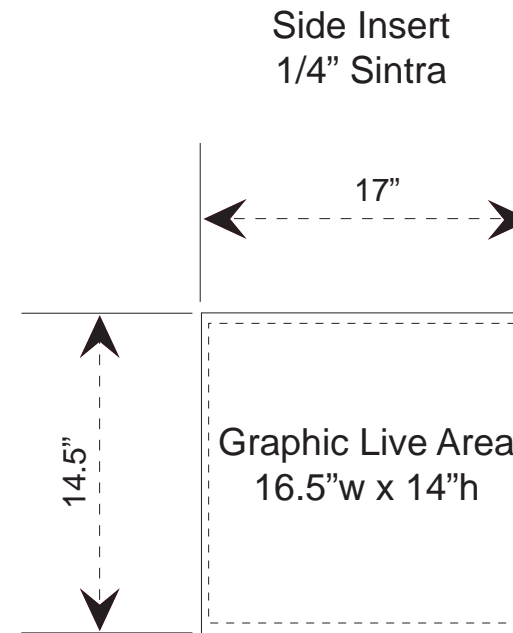
NOTE: Graphic files must be @ 150 dpi Finished Size.
DO NOT send Flattened Files. Production can not manipulate the content, proportion or color of these files.

NOTE: These dimensions are for graphic layout purposes.
Graphic needs to be cut and test fitted to Magellan MOR frame.

Product Name: MOR
Process: Direct Print
Material: 1/4" and 1/8" Sintra
Effective Date: 12/03/2009



Finished Size: 29.125"w x 14.5"h
Live Area: 28.625"w x 14"h
Add 1/4" bleed around perimeter



Finished Size: 17"w x 14.5"h
Live Area: 16.5"w x 14"h
Add 1/4" bleed around perimeter

NOTE: Graphic files must be @ 150 dpi Finished Size.
DO NOT send Flattened Files. Production can not manipulate the content, proportion or color of these files.

NOTE: These dimensions are for graphic layout purposes.
Graphic needs to be cut and test fitted to Magellan MOR frame.